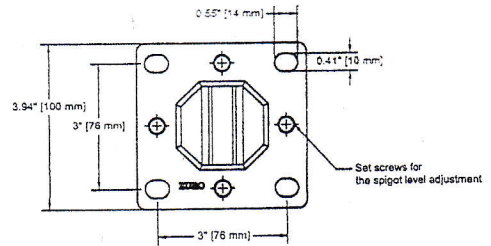
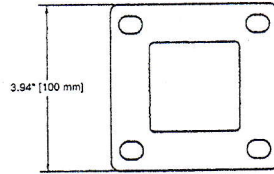
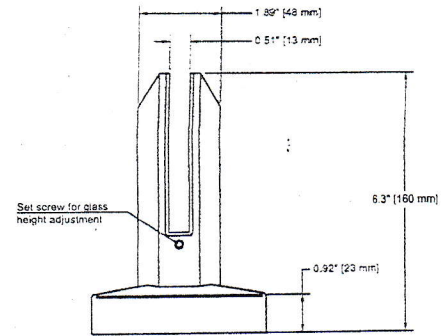
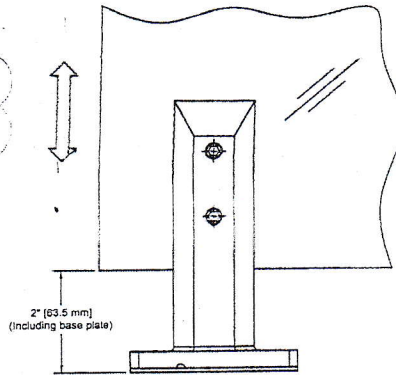


Height Adjustable Spigot Top Mount



Dimensions

There is possibility to adjust the glass level by (a maximum of) $\frac{1}{4}$ " [6 mm].



2 mm Thk. Base Plate

Top view

Components

