



INSTALLATION, ADJUSTEMENT AND MAINTENANCE INSTRUCTIONS

- ROUND POST ADAPTER

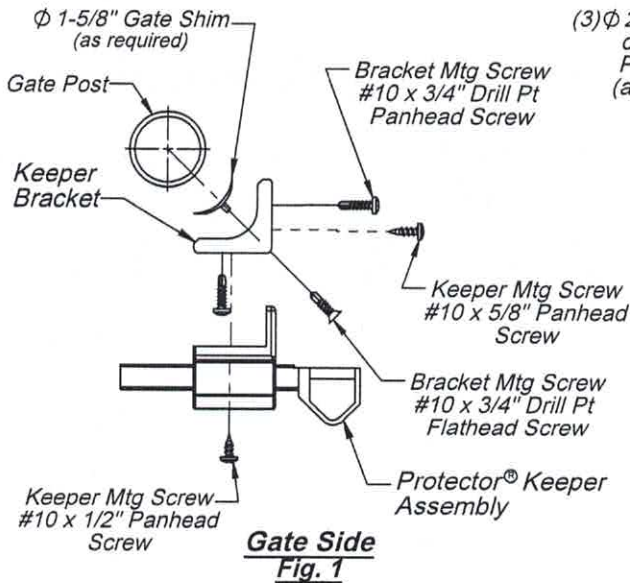
NW6149

THE PROTECTOR[®] ROUND POST ADAPTER KIT

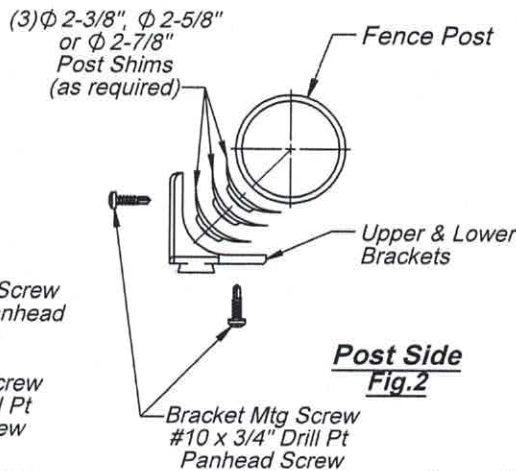
INSTALLATION, ADJUSTMENT AND MAINTENANCE INSTRUCTIONS

PLEASE CAREFULLY READ ALL OF THE INSTRUCTIONS PRIOR TO INSTALLATION

The PROTECTOR[®] Round Post Adapter Kit is designed to mount the PROTECTOR[®] MAGNETIC GATE LATCH to a 1-3/8" or 1-5/8" dia. Gate and standard range of Post dia's. A set of Shims have been provided to fit the most commonly used Fence Post and Gate sizes. However, a 1-3/8" dia. Gate on a 2" dia. Post does not require Shims.



Gate Side
Fig. 1



Post Side
Fig. 2

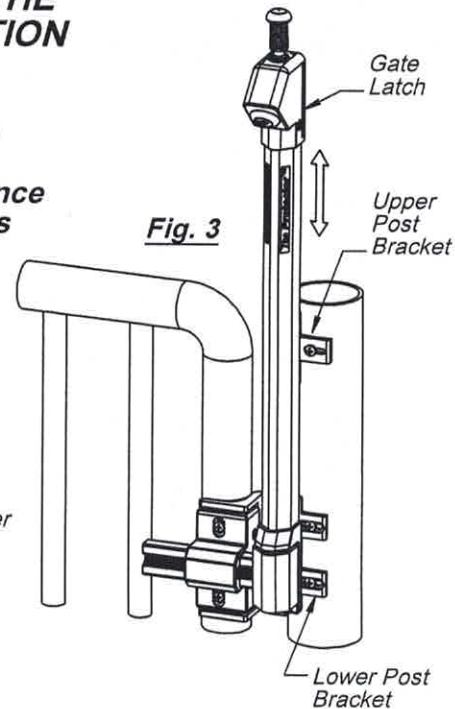


Fig. 3

Note:
Also Review The Protector[®] Gate Latch Installation Sheet

STEP 1 - Marking the Mounting Location:

1. Attach the Protector[®] Keeper Assembly to the Keeper Bracket (Fig. 1). Slide the NEW Upper & Lower Post Brackets into Gate Latch rear groove as shown (Fig. 3). Align the Gate Latch and Lower Post Bracket alignment holes and secure with #8 FlatHead Screw (Fig. 8).
2. Assemble the Keeper and Latch in the LATCHED POSITION (Fig. 3).
3. Using the ENTIRE Assembly as a Template, Locate as shown (Fig. 3 & 4) and MARK the Location of the Keeper Bracket and the Upper & Lower Post Brackets.
4. Unlock Keeper from Latch. Remove the Keeper from Bracket. Remove Upper & Lower Brackets from Latch.

Using each bracket as a Template, return Brackets to the respective location and mark each mounting hole location (Fig. 4). Make sure to locate holes on the centerline of the Post.

Note: The Adapter Kit includes Self-Drilling Mounting screws, but to ease installation, we suggest drilling pilot holes.

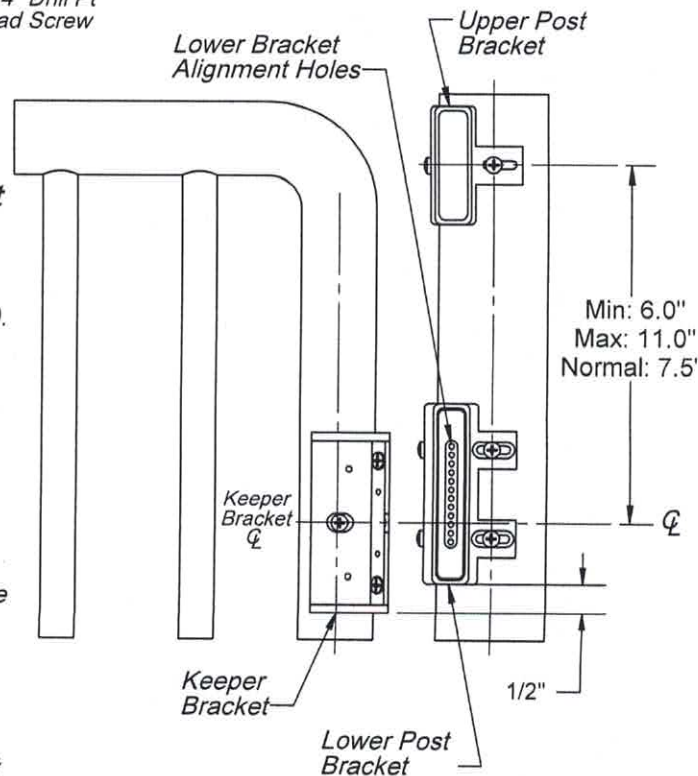


Fig. 4

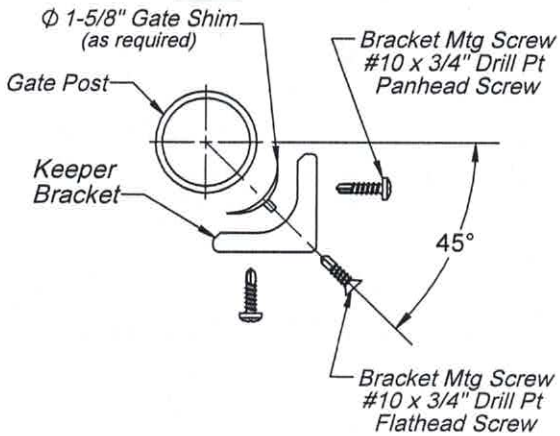
NW6149

THE PROTECTOR ROUND POST ADAPTER KIT

INSTALLATION, ADJUSTMENT AND MAINTENANCE INSTRUCTIONS

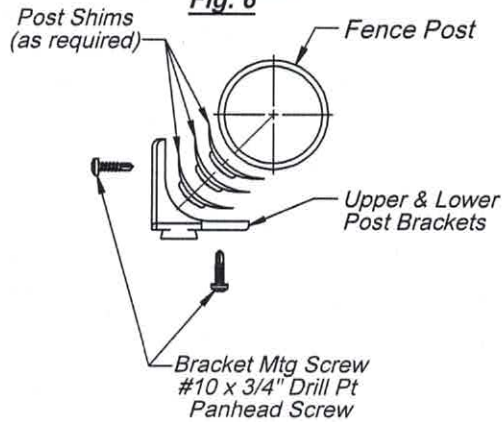
Gate Side

Fig. 5



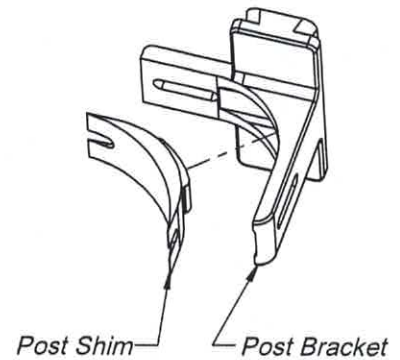
Post Side

Fig. 6



Post Shim Installation

Fig. 7



STEP 2 - Installing the Upper & Lower Post Brackets and Gate Latch:

Note: If Req'd, Insert the (3) 2-3/8", 2-5/8" or 2-7/8" Post Shims as shown (Fig. 7).

1. Locate Upper & Lower Post Brackets (and shims as req'd.) on the Fence Post as marked. Using the supplied (6) #10 x 3/4" Drill Pt PanHead screws, insert thru the Mounting Holes and drill into the Fence Post (Fig. 6). **DO NOT** fully tighten screws, slight movement of the brackets may be required during installation of the Gate Latch Assembly (Fig. 3).

Note: Make sure to locate Mounting Screws on centerline of Posts.

2. Align the rear groove of the Gate Latch and Upper & Lower Post Brackets. Slide Latch into position (Fig. 3).

STEP 3 - Installing the Keeper Bracket and Keeper Assembly:

Note: If the Gate Post is 1-5/8" dia. , insert the Gate Shim as shown (Fig. 5).

1. Locate the Keeper Bracket (and shim as req'd) on the Gate as marked (Fig. 4). Using the supplied (2) #10 x 3/4" Drill Pt FlatHead screws, insert screws thru the 45° mounting holes and drill into the Gate Post (Fig. 5).
2. Install (2) #10 x 3/4" Drill Pt PanHead screws thru remaining slotted mounting holes and drill into the Gate Post (Fig. 5).

Note: Make sure to locate Mounting Screws on centerline of Posts

3. Mount Keeper Assembly to the Keeper Bracket by using the (2) #10 x 1/2" PanHead screws in the FRONT of the Keeper Assembly and the (2) #10 x 5/8" PanHead Screws in the SIDE of the Keeper Assembly (Fig. 1).
4. Close Gate and confirm correct alignment. Adjust as required and **tighten all mounting screws.**
5. Re-Insert Gate Latch Set Screw (Fig. 8). Installation is complete.

